

office electrics



powerbox



powerunit



soft wiring solutions

**Under-Desk  
Modules**



# powerbox



Versatile unit which allows a wide variety of configurations in a concentrated space.

Based on an aluminium extrusion the Powerbox may be used to accommodate mains sockets, data connectors, AV and other connectors as a comprehensive underdesk unit to the customers exact specification.

Powerbox may also be configured as a Power Distribution Unit to include MCBs, RCBOs, filters and other specialist requirements with facilities to connect with an underfloor track.

In this format Powerbox may also include a quick disconnect facility rated at 32A capable of Section 607 compliance.

When vertically mounted Powerbox is particularly suitable for use in racks or server cabinets.

Powerbox has virtually limitless possibilities

– please call Office Electrics to discuss your precise requirements.

Standard colour black extrusion with black sockets, fascias and endcaps.

All Office Electrics products are manufactured to enable compliance with BS6396 or BS7671 where relevant. UK sockets incorporate fuses as standard with colour coded inserts indicating fuse rating. Unfused sockets may be specified where applicable.

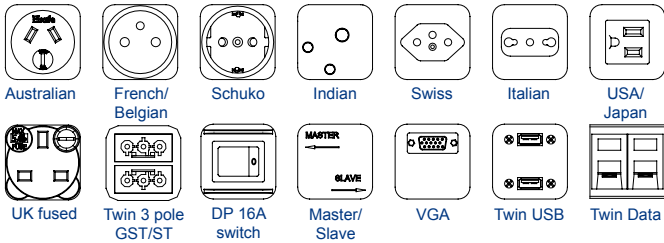


## office electrics

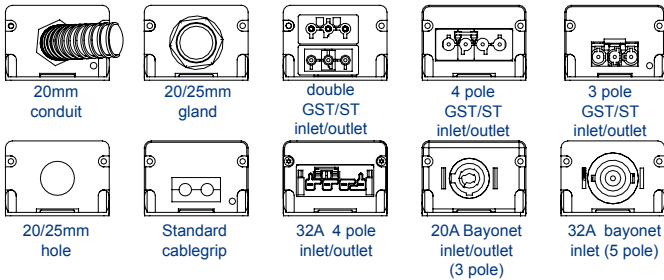
1 Calder Point, Monckton Road Industrial Estate,  
Wakefield, West Yorkshire, WF2 7AL  
Tel: +44 (0) 1924 367255 Fax: +44 (0) 1924 290652  
Email: sales@office-electrics.co.uk www.office-electrics.com

Elsafe, Unit 1, 17 Rodborough Road,  
Frenchs Forest NSW 2086, Australia  
Tel: +61 2 9454 7500 Fax: +61 2 9454 7505  
Email: sales@elsafe.com.au www.elsafe.com.au

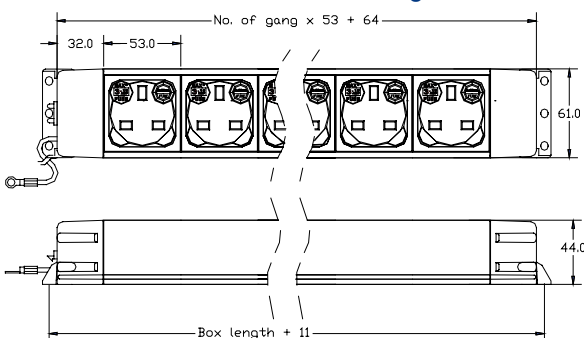
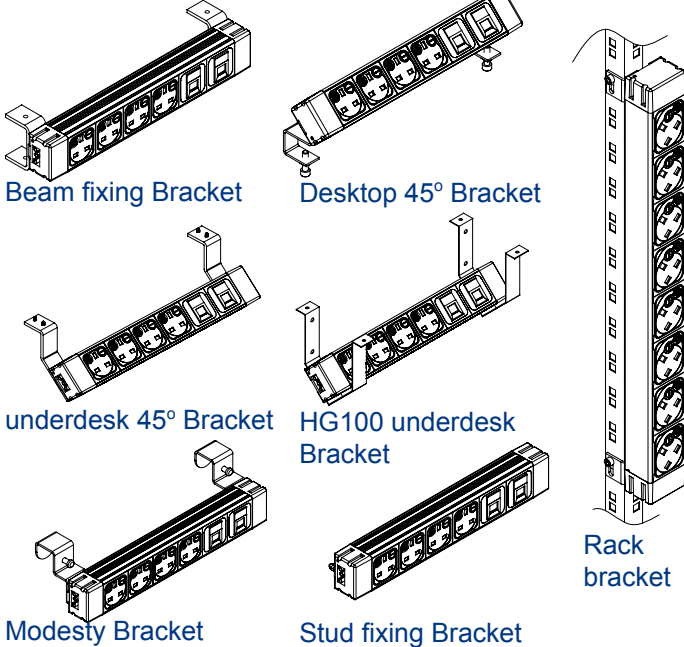
## Common Modular Components\*



## Standard Inlets/Outlets\*



## Standard fixing\*



## Unit Dimensions

POWERBOX can be made upto 3m in length

## Features

### Configuration:

Power only / Data only / Combined (Power & Data/AV)  
Internal segregation between Power and Data/AV in combined POWERBOX

### Insulation:

Earthed aluminium casing with fire retardant ABS fascias.

### Earth Bonding:

A rewirable external earth terminal allows the removal/change of earth bonding leads without dismantling the unit.

### Fusing: (to enable compliance to BS6396)

5 x 20mm anti-surge ceramic fuses, with colour-coded fuseclips to denote the rating (3.15A/5A)

### Increased flexibility:

Bracket fix - unique slide clip allows mounting brackets to be interchanged without dismantling the power box, allowing flexibility for a wide variety of power box locations. (see examples - left)

### Security:

Anti-Flex system: A unique full length locking system, which guarantees unit integrity, regardless of the length of the unit.

### Testing:

100% testing - continuity, polarity, insulation & earth

### Soft Wiring (power)

Power wired to Wieland ST/GST connector allows starter cables to be changed to suit requirements, especially useful during moves and changes (CHURN)

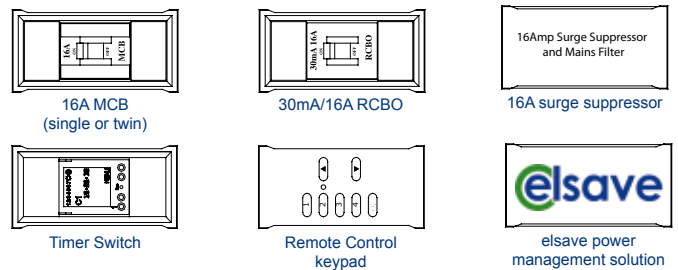
### Inlets/Outlets:

#### Data:

- Up to 4 cables per end can be passed through our unique cable grip which was developed to prevent damage to delicate cables caused by excessive bending. More data cables can be accommodated through a 20/25mm cable gland or via the rear of the unit if required.

### Protection:

Power Filter, surge suppressor, MCB, RCD, RCBO, etc



\*See website for more

\*Please enquire with Office Electrics for further information





# powerunit



Compact unit providing flexible modular power and data distribution, ideal for office desks and screens where a limited number of outlets are required.

Standard off the shelf units are available from stock.

POWERUNITs may also be specified to meet particular requirements.

Mains power sockets formats for most countries together with a wide range of data outlets.

Special units with remote switches, thermal resettable fuses, power cleaners.

Standard colour is black, other colours are available subject to minimum order quantities.

All Office Electrics products are manufactured to enable compliance with BS6396 or BS7671 where relevant.

UK sockets incorporate fuses as standard with colour coded inserts indicating fuse rating.

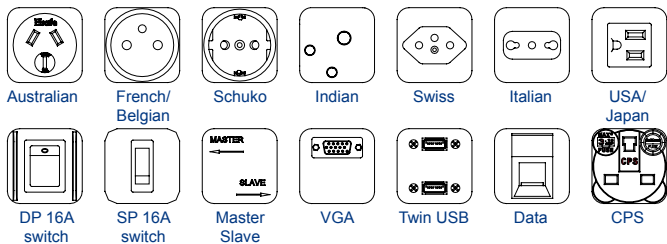


## office electrics

1 Calder Point, Monckton Road Industrial Estate,  
Wakefield, West Yorkshire, WF2 7AL  
Tel: +44 (0) 1924 367255 Fax: +44 (0) 1924 290652  
Email: sales@office-electrics.co.uk www.office-electrics.com

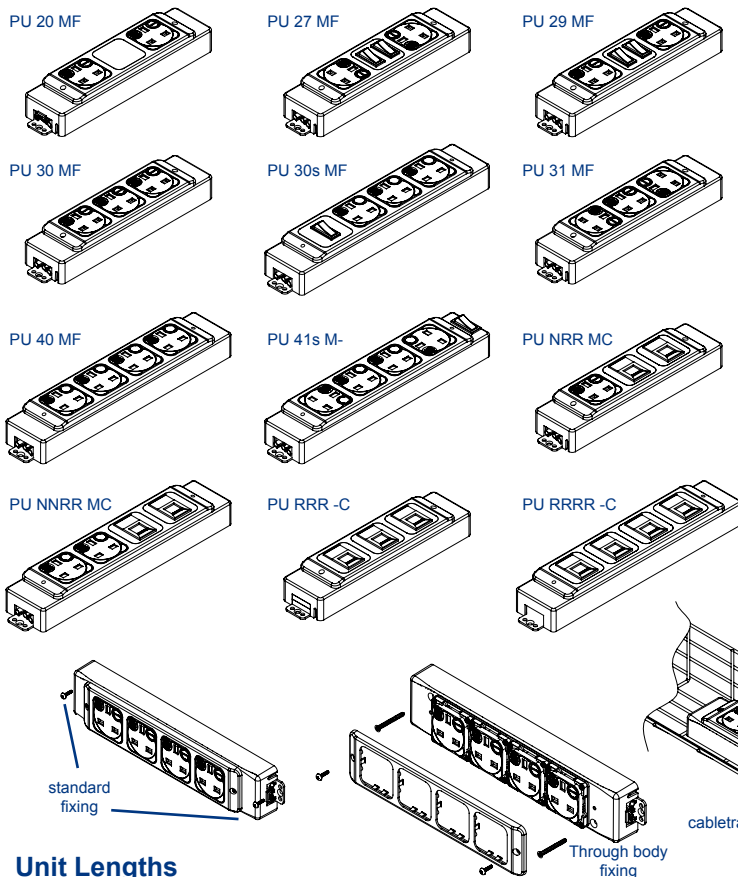
Elsafe, Unit 1, 17 Rodborough Road,  
Frenchs Forest NSW 2086, Australia  
Tel: +61 2 9454 7515 Fax: +61 2 9454 7505  
Email: sales@elsafe.com.au www.elsafe.com.au

## Common Modular Components\*



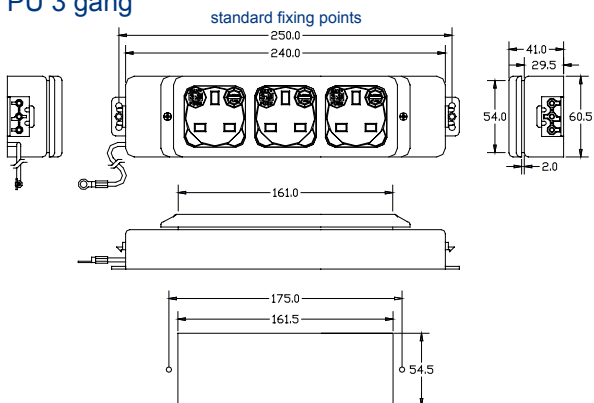
\*see website for more

## Common Units\*

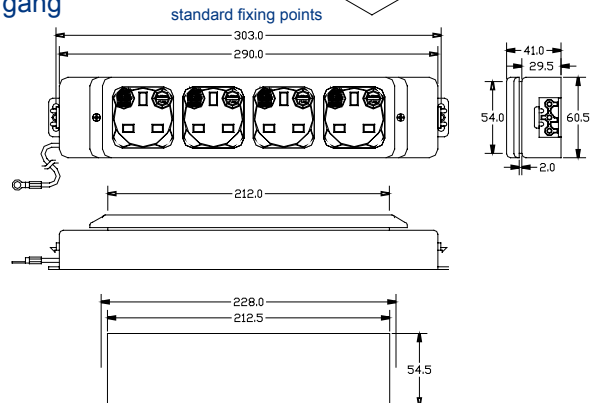


## Unit Lengths

### PU 3 gang



### PU 4 gang



## Features

### Configuration:

Power only / Data only / Combined (Power & Data/AV)  
Internal segregation between Power and Data/AV in combined POWERUNITS

### Insulation:

Re-inforced insulation

### Earth Bonding:

A rewirable external earth terminal allows the removal/change of earth bonding leads without dismantling the unit.

### Fusing: (to enable compliance to BS6396)

5 x 20mm anti-surge ceramic fuses, with colour-coded fuseclips to denote the rating (3.15A/5A)

### Testing:

100% testing - continuity, polarity, insulation & earth

### Soft Wiring (power)

Power wired to Wieland ST/GST connector allows starter cables to be changed to suit requirements, especially useful during moves and changes (CHURN)

