

office electrics



pivot



prism



platinum



axxess



tardis



genie

soft wiring solutions

**In-Desk
Modules**





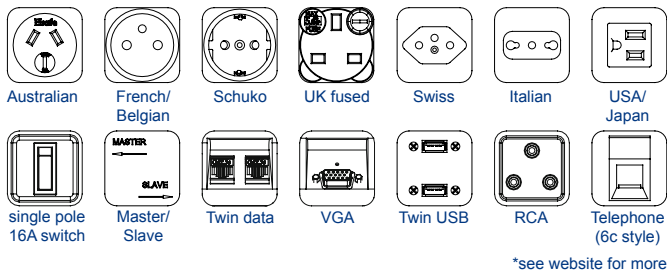
An ultra-compact in-surface power, data and AV unit with press and full soft-eject mechanism.

Office Electrics' design brief for their new longitudinal in-surface module was for: the most compact; simplest to install; internationally compatible and technically capable; auto-opening power and data module on the market, whilst maintaining a sleek design aesthetic and robust high quality feel.

An uncompromising desire to hold to these requirements has led to PIVOT, a unit that not only satisfies the office furniture market's desire for an ultra-compact personal power and data module, but is equally suited to the kitchen, home or hotel environment and can even be installed in soft furnishings (eg: chairs, sofas or benches). Furthermore, with a minimum depth requirement of only 64mm, the PIVOT is the first in-surface module to offer the real prospect of vertical surface (screens, walls or panel systems) installation – allowing power and data outlets to be 'hidden' yet easily accessible.

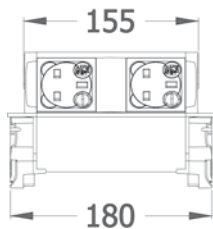


Common Modular Components*

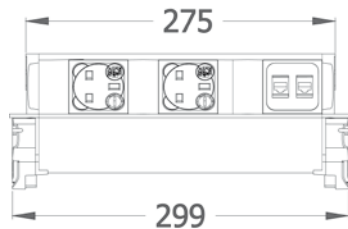


Standard Unit Lengths

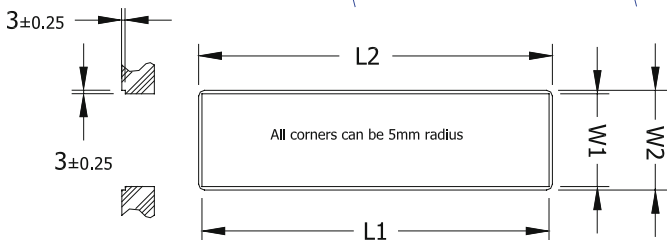
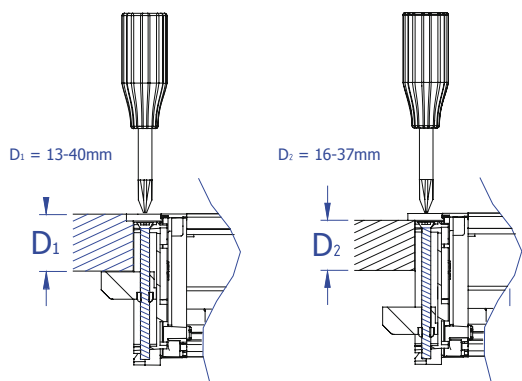
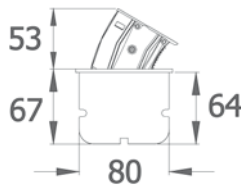
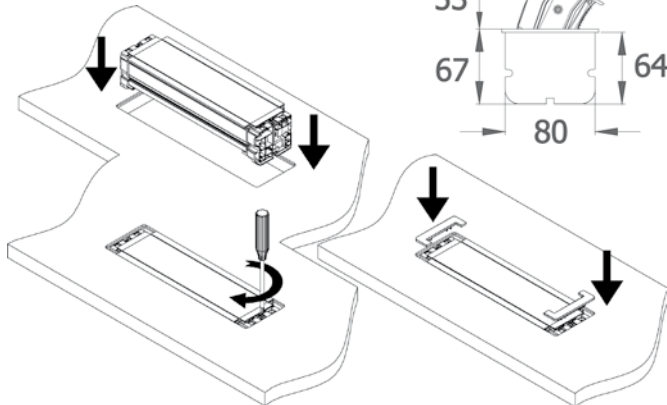
pivot 25/...



pivot 47/...



Installation instructions



Features

Configuration:

Power only / Data only / Combined (Power & Data/AV)
Internal segregation between Power and Data/AV in combined PIVOT units

Earthing: Fully earthed aluminium construction - **both body AND frame** - as required by BS6396

Earth Bonding:

Earth bonding slots along length of the unit allow the attachment of earth bonding lead with standard 3mm ring terminal.

Fusing:

(to enable compliance to BS6396)
5 x 20mm anti-surge ceramic fuses, with colour-coded fuseclips to denote the rating (3.15A/5A)

Testing:

100% testing - continuity, polarity, insulation & earth

Soft Wiring (power)

Power hardwired to Wieland ST/GST connector allows starter cables to be changed to suit requirements, especially during moves and changes (CHURN)

Soft Wired Data

As well as soft-wired power, PIVOT can accommodate soft wired data. Using our inline couplers, data cables can be changed "on-site" to accommodate changes in length often associated with churn

Added installation features

Full face side installation – the clamping system operating from the front face, for surface thicknesses of 13 – 45mm (for less than 13mm surface thickness - rear access would be required)

Ultra slim 80mm cutout - with full flange to mask cutting inaccuracy, but also allows PIVOT to be considered for installation in soft furnishings.

Minimal 64mm depth requirement – poses minimal intrusion into rear compartment and allows vertical surface installation (eg: kitchen wall)

Cutout dimensions

Size	pivot 25	pivot 47
L1	180.0(+2/-0)	299.0(+2/-0)
W1	80.0(+2/-0)	80.0(+2/-0)
L2	185.7(±0.25)	305.0(±0.25)
W2	86.0(±0.25)	86.0(±0.25)

L1/W1 - Cutout dimension L2/W2 - Recess dimensions





prism



The ultimate solution for power and data distribution to touch-down desking and conference tables, where ease of access to utilities is paramount.

Prism is easily installed into new furniture or retro fitted and may be specified with the full range of data, telecom, audio/visual and power sockets. Integral fuses allow compliance to BS6396:2008 where relevant.

Prism allows total flexibility to meet the demands of any power and data requirement. Easy to use, Prism allows essential utility connections to be accessed from both sides of the unit without encroaching on the workspace.

The unit can be closed when most connections (including transformer plugs) have been made, to retain a flat work surface.

Finished in silver and black as standard. Other finishes available subject to order quantity.

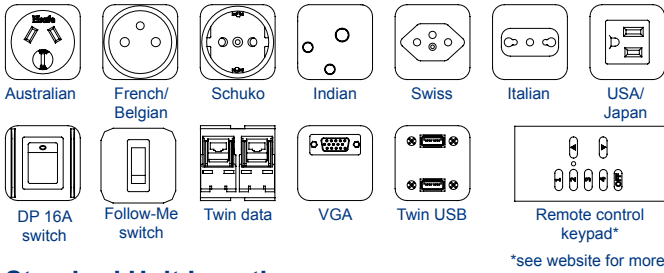


office electrics

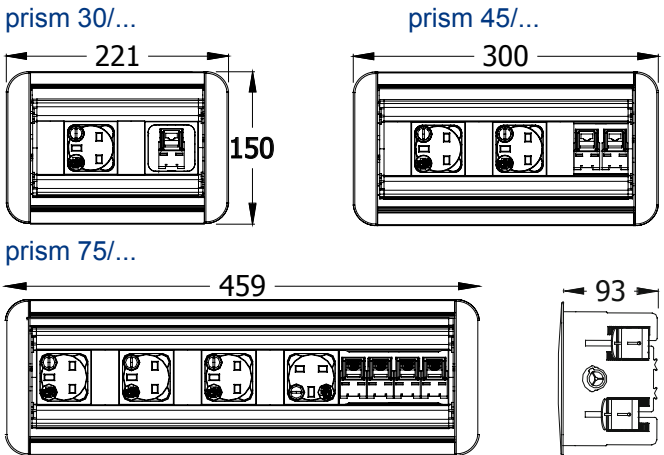
1 Calder Point, Monckton Road Industrial Estate,
Wakefield, West Yorkshire, WF2 7AL
Tel: +44 (0) 1924 367255 Fax: +44 (0) 1924 290652
Email: sales@office-electrics.co.uk www.office-electrics.com

Elsafe, Unit 1, 17 Rodborough Road,
Frenchs Forest NSW 2086, Australia
Tel: +61 2 9454 7500 Fax: +61 2 9454 7505
Email: sales@elsafe.com.au www.elsafe.com.au

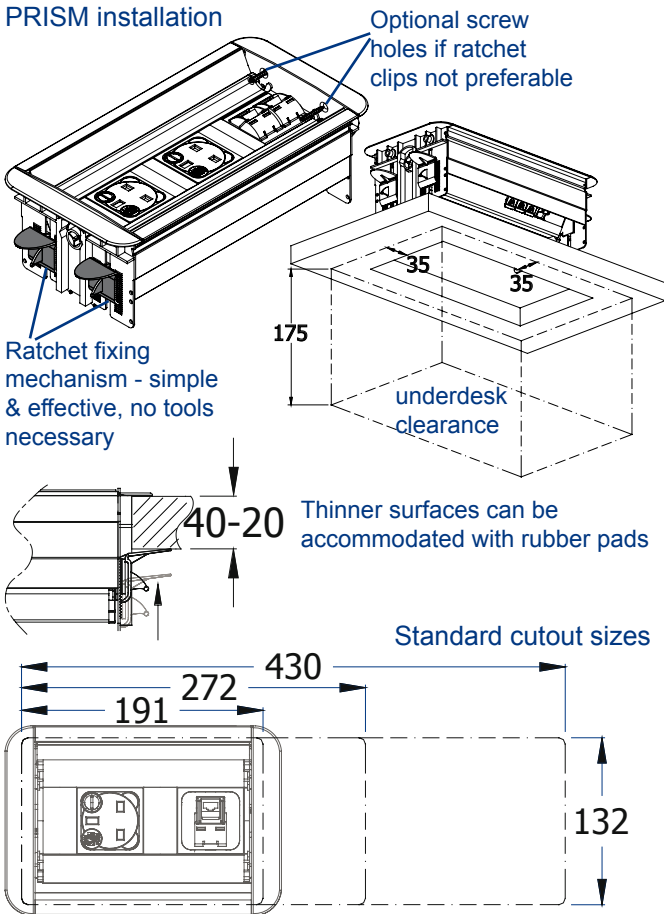
Common Modular Components*



Standard Unit Lengths



PRISM installation



Features

Configuration:

Power only / Data only / Combined (Power & Data/AV)
Internal segregation between Power and Data/AV in combined PRISM units

Earthing: Fully earthed aluminium construction - **both body AND frame** - as required by BS6396

Earth Bonding:

Earth bonding slots along length of the unit allow the attachment of earth bonding lead with standard 3mm ring terminal. Earth bonding kit is sent as standard with every Prism.

Fusing: (to enable compliance to BS6396)

5 x 20mm anti-surge ceramic fuses, with colour-coded fuseclips to denote the rating (3.15A/5A)

Security:

ANTI-FLEX system: Unique full length locking system guarantees unit integrity regardless of length

Testing:

100% testing - continuity, polarity, insulation & earth

Soft Wiring (power)

Power hardwired to Wieland ST/GST connector allows starter cables to be changed to suit requirements, especially during moves and changes (CHURN)

Soft Wired Data

As well as soft-wired power, PRISM can accommodate soft wired data. Using our inline couplers, data cables can be changed "on-site" to accommodate changes in length often associated with churn

Protection:

Power cleaner, surge protector, MCB, RCD, RCBO, etc.

Conferencing features:

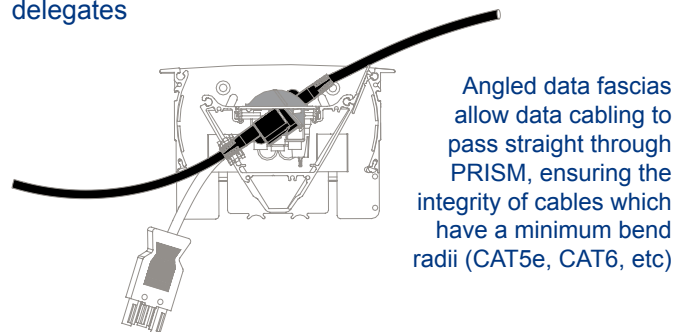
Active Room Control

PRISM can also be fitted with room control keypads which, when used in conjunction with our in-line room controllers, allow the user to control various functions around the room

(eg: blinds, shutters, projection screen and lighting) directly from the PRISM

Follow-me switch

Integration with industry standard VGA switchers to allow intelligent control of AV facilities by multiple delegates





platinum



The ultimate solution for power and data distribution to touch-down desking and conference tables, where ease of access to utilities is paramount.

Platinum is easily installed into new furniture or retro fitted and may be specified with the full range of data, telecom, audio/visual and power sockets. Integral fuses allow compliance to BS6396:2008 where relevant.

Platinum allows total flexibility to meet the demands of any power and data requirement. Easy to use, Platinum allows essential utility connections to be accessed from both sides of the unit without encroaching on the workspace.

The unit can be closed when most connections (including transformer plugs) have been made, to retain a flat work surface.

Finished in silver and grey as standard. Other finishes available subject to order quantity.

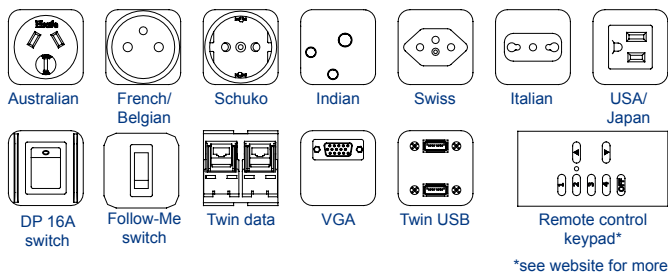


office electrics

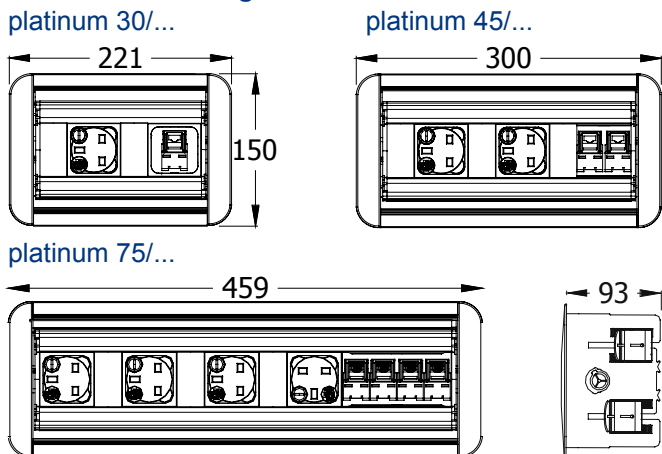
1 Calder Point, Monckton Road Industrial Estate,
Wakefield, West Yorkshire, WF2 7AL
Tel: +44 (0) 1924 367255 Fax: +44 (0) 1924 290652
Email: sales@office-electrics.co.uk www.office-electrics.com

Elsafe, Unit 1, 17 Rodborough Road,
Frenchs Forest NSW 2086, Australia
Tel: +61 2 9454 7500 Fax: +61 2 9454 7505
Email: sales@elsafe.com.au www.elsafe.com.au

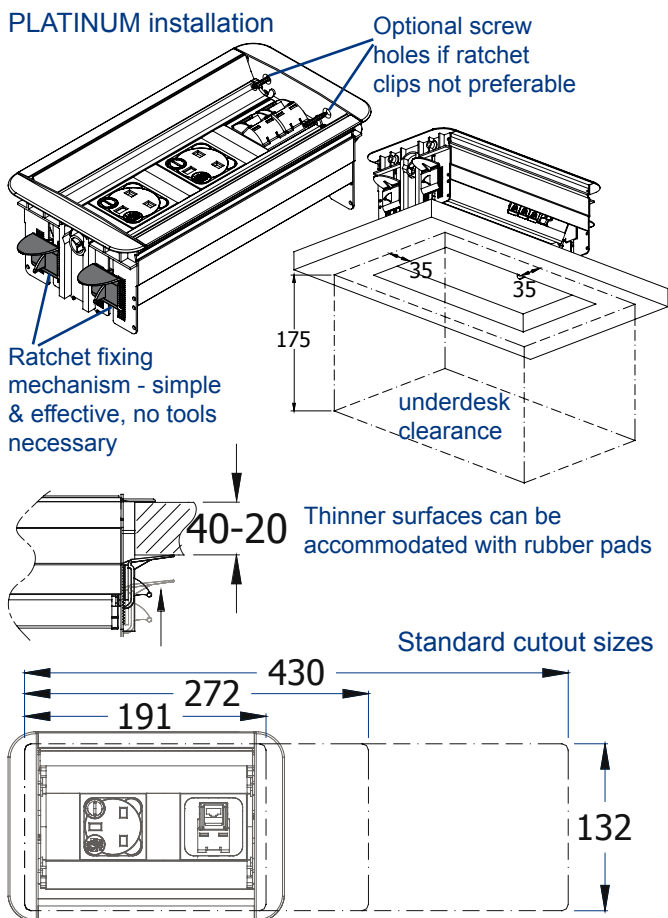
Common Modular Components*



Standard Unit Lengths



PLATINUM installation



Features

Configuration:

Power only / Data only / Combined (Power & Data/AV)
 Internal segregation between Power and Data/AV in combined PLATINUM units

Earthing: Fully earthed aluminium construction - **both body AND frame** - as required by BS6396

Earth Bonding:

Earth bonding slots along length of the unit allow the attachment of earth bonding lead with standard 3mm ring terminal. Earth bonding kit is sent as standard with every Platinum

Fusing:

(to enable compliance to BS6396)
 5 x 20mm anti-surge ceramic fuses, with colour-coded fuseclips to denote the rating (3.15A/5A)

Security:

ANTI-FLEX system: Unique full length locking system guarantees unit integrity regardless of length

Testing:

100% testing - continuity, polarity, insulation & earth

Soft Wiring (power)

Power hardwired to Wieland ST/GST connector allows starter cables to be changed to suit requirements, especially during moves and changes (CHURN)

Soft Wired Data

As well as soft-wired power, PLATINUM can accommodate soft wired data. Using our inline couplers, data cables can be changed "on-site" to accommodate changes in length often associated with churn

Protection:

Power cleaner, surge protector, MCB, RCD, RCBO, etc.

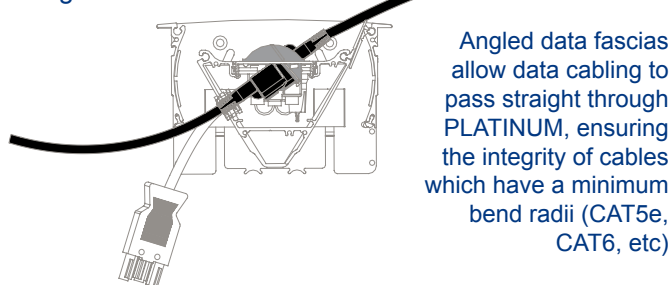
Conferencing features:

Active Room Control

PLATINUM can also be fitted with room control keypads which, when used in conjunction with our in-line room controllers, allow the user to control various functions around the room (eg: blinds, shutters, projection screen and lighting) directly from the PLATINUM

Follow-me switch

Integration with industry standard VGA switchers to allow intelligent control of AV facilities by multiple delegates





axxess



All in one in-desk power and data management system.

The AXXESS provides power & data solutions to your desktop, work station or boardroom table. It has been designed to allow cables to be stored within the unit while not in use.

The lid sits flush when in use and the cables come out of the spring release lip.

The unique locking arm system ensures that the AXXESS is securely fitted to the table/desk top by operating screws at each end of the Axxess. Once fixed, the locking screws are covered with a screw cover.

Standard colour silver extrusion and grey endcaps with standard black POWERUNIT and data.

All Office Electrics products are manufactured to enable compliance with BS6396 where relevant. UK sockets incorporate fuses as standard with colour coded inserts indicating fuse rating. Unfused sockets may be specified where applicable.



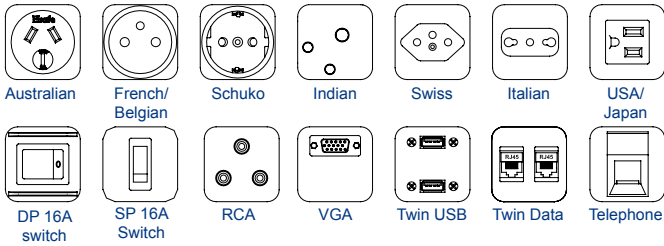
office electrics



1 Calder Point, Monckton Road Industrial Estate,
Wakefield, West Yorkshire, WF2 7AL
Tel: +44 (0) 1924 367255 Fax: +44 (0) 1924 290652
Email: sales@office-electrics.co.uk www.office-electrics.com

Elsafe, Unit 1, 17 Rodborough Road,
Frenchs Forest NSW 2086, Australia
Tel: +61 2 9454 7500 Fax: +61 2 9454 7505
Email: sales@elsafe.com.au www.elsafe.com.au

Common Modular Components*



*see website for more

Cable guides at either end, guide the cables towards the lip, so that damage to the cables is avoided by scissor action of lid closing

Screw cover hides the screw for stylish finish

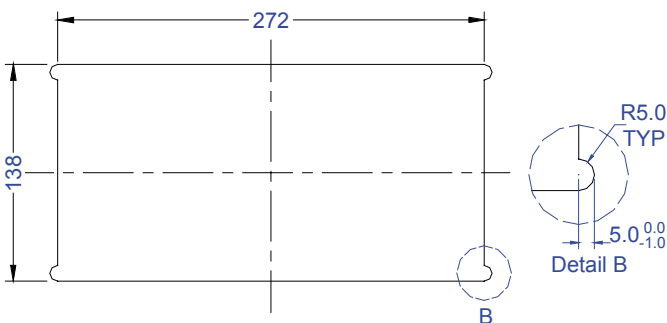
Data cartridge can be removed to allow easier loading on site

Spring release lid allows cables to exit while main lid is lowered.

Power requirements can be configured to suit specifications for most worldwide countries.

Large compartment allows cables to be stored inside to avoid desk-top clutter.

Cutout dimensions



Features

Configuration:

Power only / Data only / Combined (Power & Data/AV)
Segregation between Power and Data/AV in combined AXCESS units

Earth Bonding:

A rewirable external earth terminal allows the removal/change of earth bondings leads without dismantling the unit.

Fusing: (to enable compliance to BS6396)

5 x 20mm anti-surge ceramic fuses, with colour-coded fuseclips to denote the rating (3.15A/5A)

Insulation:

Re-inforced insulation

Testing:

100% testing - continuity, polarity, insulation & earth

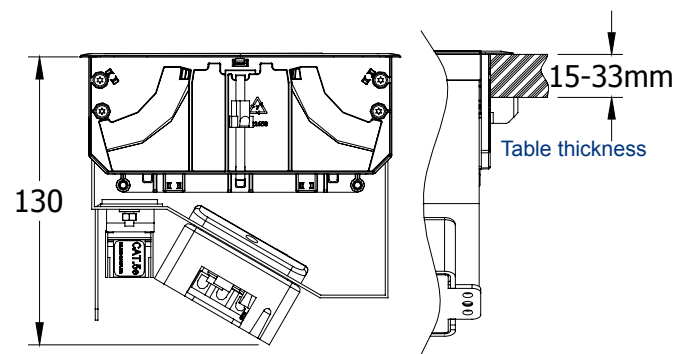
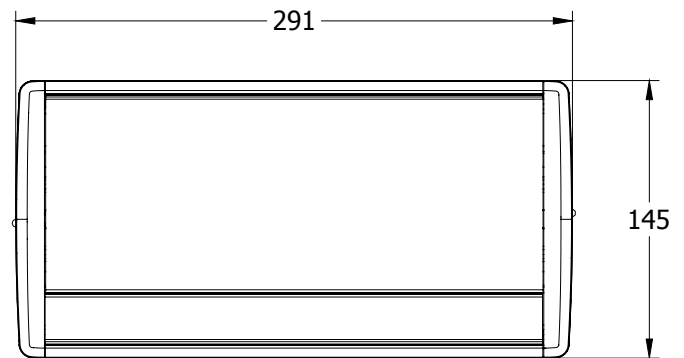
Soft Wiring (power)

Power via Wieland ST/GST connector allows starter cables to be changed to suit requirements, especially useful during moves and changes (CHURN)

Soft Wired Data

As well as soft-wired power, AXCESS can accommodate soft wired data. Using our inline couplers, data cables can be changed "on-site" to accommodate changes in length often associated with churn

Unit Dimensions





The new TARDIS series in desk power and data box has been designed by the Elsafe Research and Development department using environmentally safe and recyclable components. The TARDIS series in desk box provides power and data solutions to your desk top with optional cable management system.

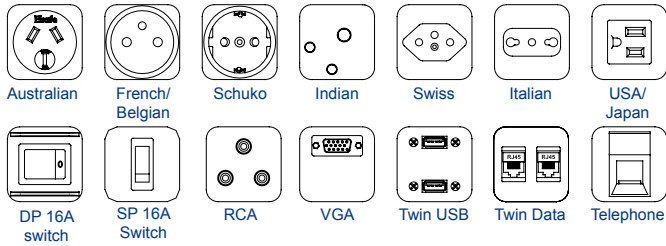
Ideal for Boardroom tables, conference tables, office desk and wherever a classical, stylish, contemporary but practical power and data solution are required.

The TARDIS series in desk box are flush mounted and come in 2 sections making installation quick and easy. The Tardis comes in one standard size allowing for a maximum of 8 power or 6 power 4 data.

The TARDIS series in desk box lids opening edge has a soft bristle insert that fits snugly around the cables allowing the lids to sit tight and flush. A unique feature of these lids are the cable guides attached to either end. The function is to push the cables towards the centre when the lids are closed, thereby avoiding damage to the cables caused by scissor action of lid closing.



Common Modular Components*



*see website for more

Brush Strip

10mm soft bristles to protect power and data cables, providing easy access to power and data outlets.

Cable guides move the cables towards the centre, preventing cables from being damaged

Clamping arms

automatically opens and tightens when screws are turned clockwise

Frame
Finished in naturally anodised aluminium. Designed to fit flush in the desk top.

optional **under-desk caddy+** allows the provision of power, data and other AV and conferencing aids.

Use of **Wieland connectors** allows cables to be changed to suit requirements without uninstalling unit, ideal for CHURN

*Under-desk Caddy comes in black as standard

Features

Configuration:

Power only / Data only / Combined (Power & Data/AV)
Segregation between Power and Data/AV in combined TARDIS units

Fusing:

(to enable compliance to BS6396)
5 x 20mm anti-surge ceramic fuses, with colour-coded fuseclips to denote the rating (3.15A/5A)

Insulation:

Re-inforced insulation

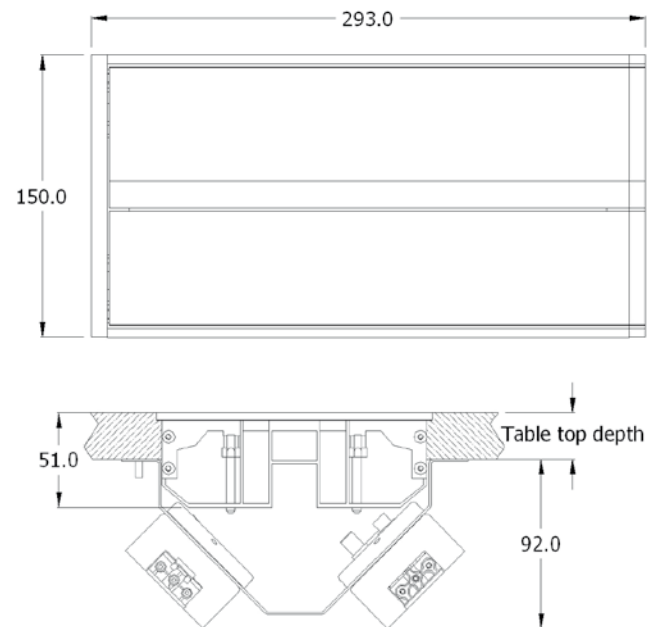
Testing:

100% testing - continuity, polarity, insulation & earth

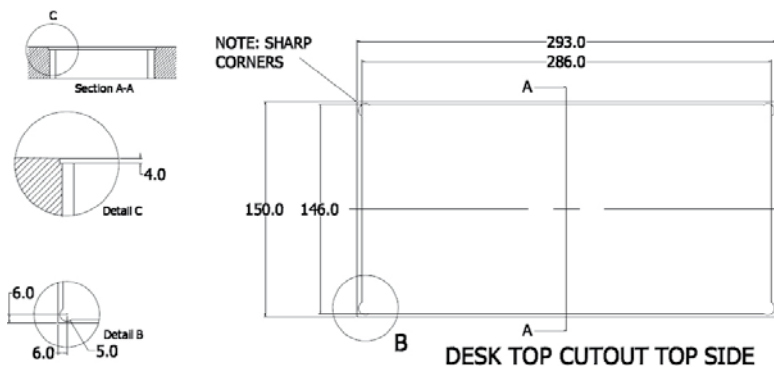
Soft Wiring (power)

Power via Wieland ST/GST connector allows starter cables to be changed to suit requirements, especially useful during moves and changes (CHURN)

Unit Dimensions



Cutout dimensions





GENIE provides an excellent solution for in-desk power and data requirements. The one size flush mounted GENIE can accommodate up to four power sockets along with several different combinations of data and AV. Data and AV components can be fitted post installation.

GENIE can be fitted from the top by only one person negating the need to work under the desk. The hinged lid has two scalloped recesses, one at each end, to allow easy and free access for power and data cables.

GENIE is fitted using our POWERUNIT which can incorporate all our standard module components.

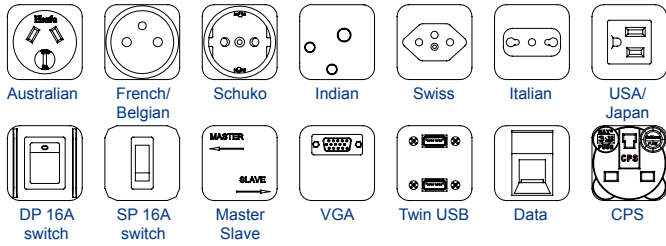
Standard colour is white, other colours are available subject to minimum order quantities.

All Office Electrics products are manufactured to enable compliance with BS6396 or BS7671 where relevant.

UK sockets incorporate fuses as standard with colour coded inserts indicating fuse rating.



Common Modular Components*



*see website for more

Features

Configuration:

Power only / Data only / Combined (Power & Data/AV)

Insulation:

Re-inforced insulation

Earth Bonding:

A rewirable external earth terminal allows the removal/change of earth bonding leads without dismantling the unit.

Fusing: (to enable compliance to BS6396)

5 x 20mm anti-surge ceramic fuses, with colour-coded fuseclips to denote the rating (3.15A/5A)

Testing:

100% testing - continuity, polarity, insulation & earth

Soft Wiring (power)

Power wired to Wieland ST/GST connector allows starter cables to be changed to suit requirements, especially useful during moves and changes (CHURN)

Soft Wired Data

As well as soft-wired power, Genie can accommodate soft wired data. Using our inline couplers, data cables can be changed "on-site" to accommodate changes in length often associated with churn. Simple on-site installation of pre-terminated data where branded connectivity required.

Cutout instructions

