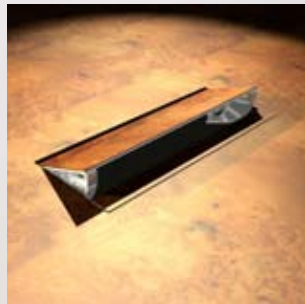
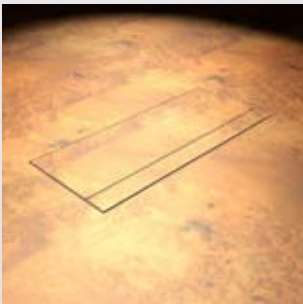


*Single door with brushstrip option

Frameless, 'perfectly-flush', through-desk access port for the discerning user, the axxessPLUS represents the top-of-the range in through desk units. Developed to satisfy the most discerning desk-user, axxessPLUS maintains the superb finish of the most luxurious desks, whilst providing easy access to power and data services. Available with two doors or one door with brush strip. Finishes available in silver naturally anodised aluminium or recessed naturally anodised aluminium to accept a suitable veneer.

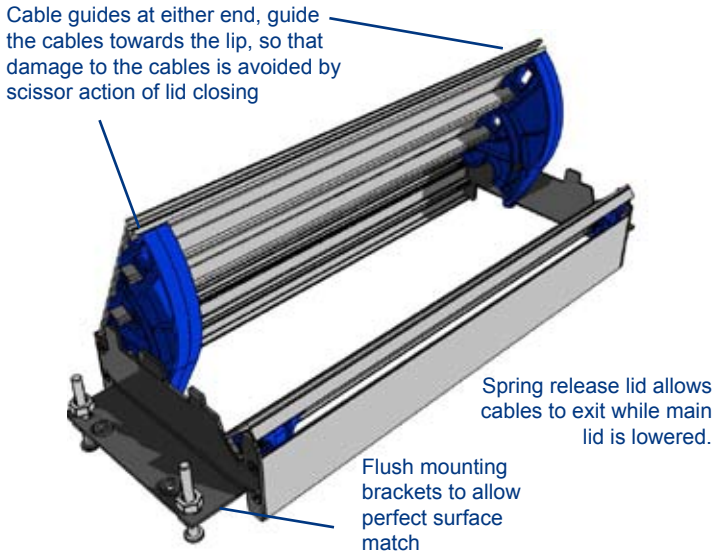


office electrics

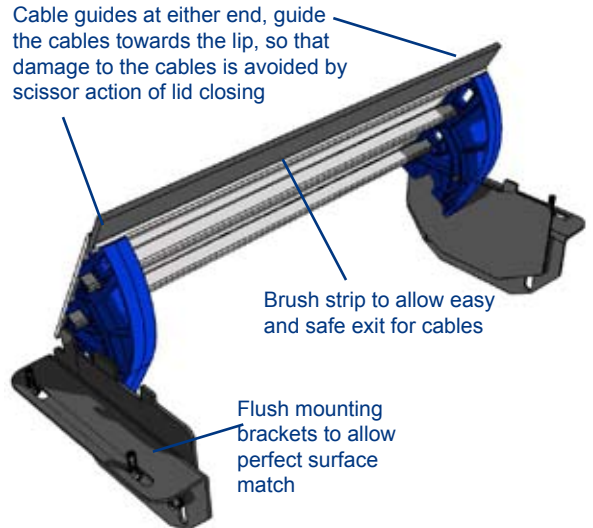
1 Calder Point, Monckton Road Industrial Estate,
Wakefield, West Yorkshire, WF2 7AL
Tel: +44 (0) 1924 367255 Fax: +44 (0) 1924 290652
Email: sales@office-electrics.co.uk www.office-electrics.com

Elsafe, Unit 1, 17 Rodborough Road,
Frenchs Forest NSW 2086, Australia
Tel: +61 2 9454 7515 Fax: +61 2 9454 7505
Email: sales@elsafe.com.au www.elsafe.com.au

axcessPLUS features



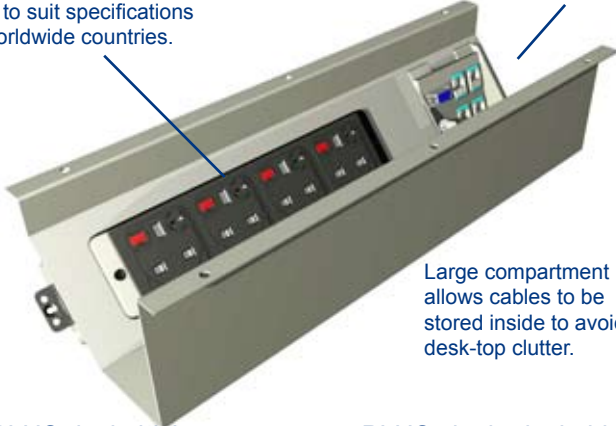
axcessPLUS single lid with brush strip features



Optional caddy for power, data & AV

Power requirements can be configured to suit specifications for most worldwide countries.

Data cartridge can be removed to allow easier loading on site (available with keystone apertures)



Features

axcessPLUS and axcessPLUS single lid can both be utilized as simple but elegant ports to complement the table surface. Both options are available in silver/aluminium or recessed to allow the customer to apply a veneer (0.5 - 0.8mm) of their choice.

Power and Data configuration (if applicable)

Power only / Data only / Combined (Power & Data/AV)
Segregation between Power and Data/AV in combined AXCESS units.

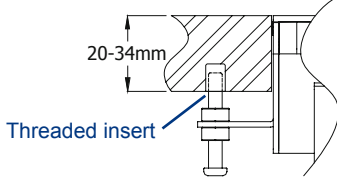
Fusing: (to enable compliance to BS6396)
5 x 20mm anti-surge ceramic fuses, with colour-coded fuseclips to denote the rating (3.15A/5A).

Insulation:
Re-inforced insulation.

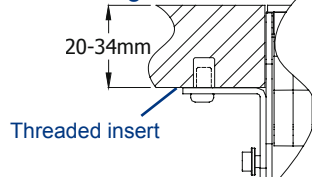
Testing:
100% testing - continuity, polarity, insulation & earth.

Fitting:
Please see website for more details on axcessPLUS fitting instructions.

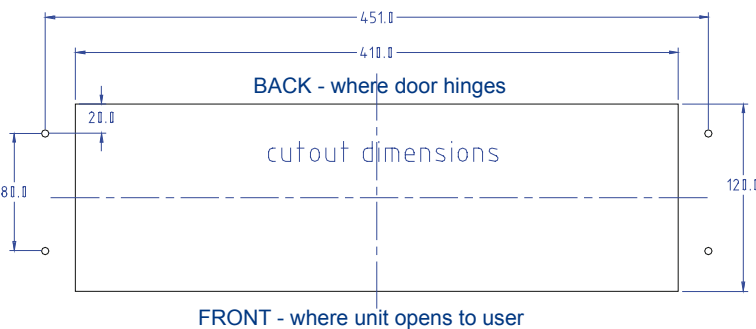
axcessPLUS desk thickness



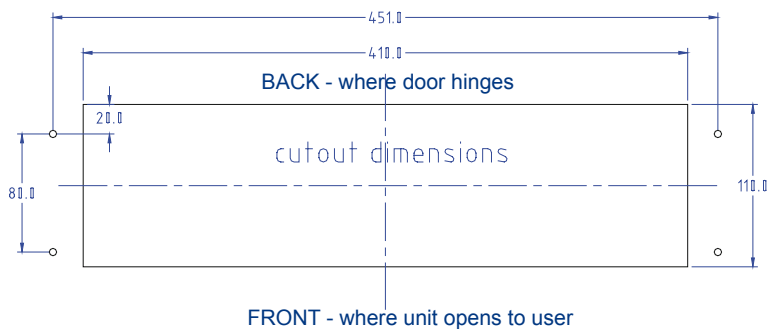
axcessPLUS single desk thickness



axcessPLUS cutout and fixing details



axcessPLUS single-door cutout and fixing details



office electrics

1 Calder Point, Monckton Road Industrial Estate,
Wakefield, West Yorkshire, WF2 7AL
Tel: +44 (0) 1924 367255 Fax: +44 (0) 1924 290652
Email: sales@office-electrics.co.uk www.office-electrics.com

Elsafe, Unit 1, 17 Rodborough Road,
Frenchs Forest NSW 2086, Australia
Tel: +61 2 9454 7515 Fax: +61 2 9454 7505
Email: sales@elsafe.com.au www.elsafe.com.au